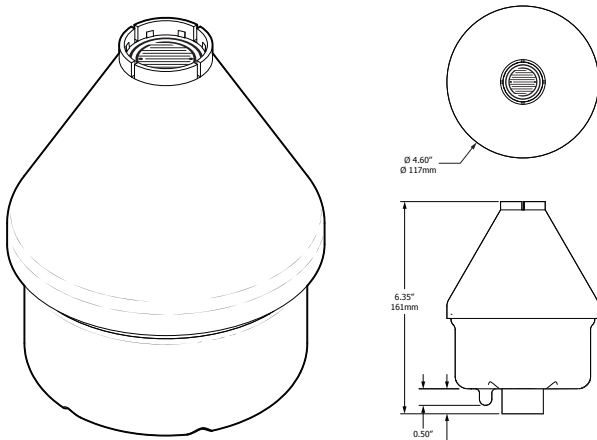


SUPPLIED AND SUPPORTED BY



SNOW SWITCH MODEL LCD-8 CONFIGURABLE AERIAL SNOW MELTING CONTROLLER

FEATURES & BENEFITS

- Automatic snow and ice melting controller minimizes operating costs
- Automatic voltage selection operates from 100VAC -240VAC 24VAC model available for hydronic and building automation applications
- Adjustable hold-on time and temperature set point provides flexibility for a wide range of applications
- C-UL-US Listed for Temperature Regulating Equipment
- Rated for up to 3 amp inductive loads for pilot duty applications and resistive loads up to 16 amps
- Weather-resistant NEMA 3R enclosure
- Hold-on timer continues heater operation after snow stops to ensure complete melting
- Sno-Test™ automatic testing and manual heater cycle for system testing
- Simple four-wire installation

DESCRIPTION

The Snow Switch Model LCD-8 configurable aerial snow melting controller makes automatic snow melting a cost effective alternative in even the smallest applications. Heaters operate at temperatures below the set point, 38°F (3.3°C) default, only when required. The adjustable hold-on period, 3 hours default, continues heater operation after snow stops to ensure complete melting. The LCD-8 controller includes an internal magnetic reed switch used for manual heater cycling, as well as configuring the temperature set point and the hold-on time.

The LCD-8 controller operates from either an

automatic selecting 100VAC - 240VAC or from 24VAC. These two voltage options combine with the configurable hold-on time and temperature set point to meet the need of a wide number of applications using just two part numbers.

It controls heater loads up to 16 amps resistive or 3 amps inductive. The operating temperature range extends from -40°F to 140°F (-40°C to 60°C). The redesigned, patent pending, rugged polycarbonate enclosure provides excellent protection at temperature extremes, while allowing snow to shed to prevent iglooming over the moisture sensor.

The internal magnetic reed switch allows for both configuration and manual heater operation without the need for external switches—which are

susceptible to damage—or the need to open the enclosure.

Verifying system functionality after installation or when troubleshooting used to require spray circuit cooler or ice for controller activation. The Sno-Test™ feature eliminates this need by performing a self-test after power application, and operating heaters in a unique pattern for a few seconds. Reading the test results takes only an AC voltmeter or clamp-on ammeter.

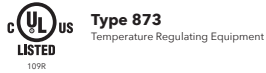
For complete information describing its application, installation and features, please contact Customer Service or visit networketi.com.

SPECIFICATIONS

GENERAL

Area of use Non-hazardous locations

Approvals



ENCLOSURE

Protection NEMA 3R
 Cover attachment Polycarbonate with machine screws
 Entries 1 x 3/4" entry (bottom)
 Material Polycarbonate
 Mounting Pole mount
 Dimensions 4.6" (W) x 6.1" (H) / 117mm (W) x 155mm (H)

CONTROL

Supply voltage ETI PN 24619: 100VAC – 240VAC; 50/60 Hz
 ETI PN 24781: 24VAC; 50/60 Hz
 Load 3 amp maximum inductive
 16 amp maximum resistive
 Heater hold-on timer 0, 1, 3 (default) or 5 hours; configured by magnetic reed switch
 Set point temperature Off (moisture only), 36°F, 38°F (default), 40°F ; configured by magnetic reed switch

INTERFACE

Status indicator SUPPLY (green): Power on; will flash while in configuration mode
 HEAT (yellow): Heating cycle in progress

WIRE & CABLE RATINGS

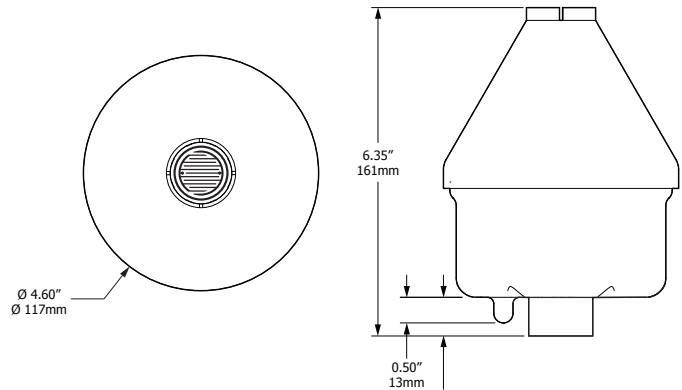
Power cable Size for heater load (16 amps maximum)
 Heater cable Size for maximum heater load

ENVIRONMENTAL

Operating temperature -40°F to 104°F (-40°C to 40°C)
 Storage temperature 67°F to 167°F (-55°C to 75°C)

ORDERING INFORMATION

ORDER NUMBER	DESCRIPTION
24619	LCD-8, 120VAC – 240VAC
24781	LCD-8, 24VAC



LIMITED WARRANTY

ETI's two year limited warranty covering defects in workmanship and materials applies. Contact Customer Service for complete warranty information.

DISCLAIMER

ETI makes no representations or warranties, either expressed or implied, with respect to the contents of this publication or the products that it describes, and specifically disclaims any implied warranties of merchantability or fitness for any particular purpose. ETI reserves the right to revise this publication, and to make changes and improvements to the products described in this publication, without the obligation of ETI to notify any person or organization of such revisions, changes or improvements.

The ETI logo, Snow Switch, We Manage Heat, Sno-Test and LCD are registered trademarks of ETI. Copyright © 2013 ETI. All rights reserved.