



TRM SR HEATING CABLE ACCESSORIES

LOW-PROFILE TEE CONNECTION KIT

TRM-SR-ACC-C1D2-TEE

RATED FOR ORDINARY AREA, UPTO C1D2
HAZARDOUS LOCATIONS

KEY FEATURES

- ✓ CSA APPROVED
- ✓ RATED FOR ORDINARY AREA, UPTO C1D2 HAZARDOUS LOCATIONS
- ✓ FOR USE WITH TRM SR HEATING CABLES

APPROVALS

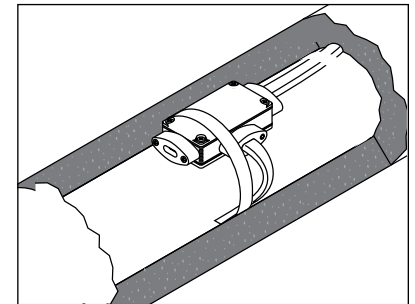
- ✓ CLASS 1, DIV. 2 GROUPS A, B, C, D
- ✓ CLASS 2, DIV. 2 GROUPS E, F, G
- ✓ CLASS 3



DESCRIPTION

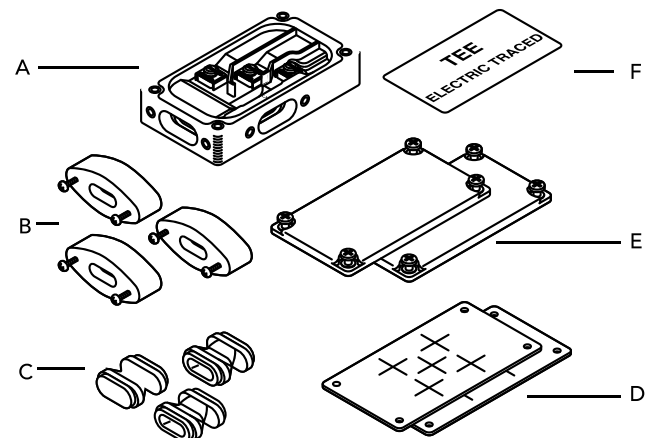
TRM SR heating cables are approved for installation in hazardous locations when the correct connection and termination kits are used.

The TRM-SR-ACC-C1D2-TEE Low-Profile Tee Connection Kit is designed to be installed on the pipe under insulation and/or cladding.



KIT INCLUDES		
ITEM	QTY	DESCRIPTION
A	1	Main Box
B	3	Pressure Seal End
C	3	Red Grommets
D	2	Gaskets for Main Box
E	2	Cover for Main Box
F	1	Label

All power connections and end seals to be made on the outside of the pipe in a dry location.



WARRANTY

We believe in the superior quality of our TRM SR cable products. Our standard warranty is 2 years from the date of purchase. Contact us regarding extended warranty terms and conditions.

TRM is an industry leading, Canadian-owned, designer, and manufacturer of premium heating cable and systems in the commercial, industrial, and residential sectors.

GET IN TOUCH

☎ 905 940 4737 ✉ info@trmheatingcables.com 🌐 www.trmheatingcables.com

