



TRM SR HEATING CABLE ACCESSORIES

POWER CONNECTION WITH JUNCTION BOX

TRM-SR-ACC-C1D2-PTBS

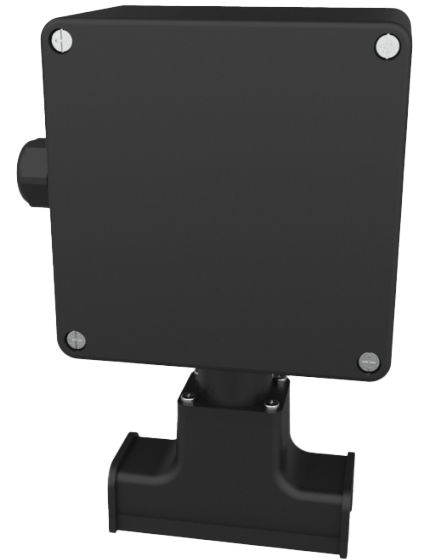
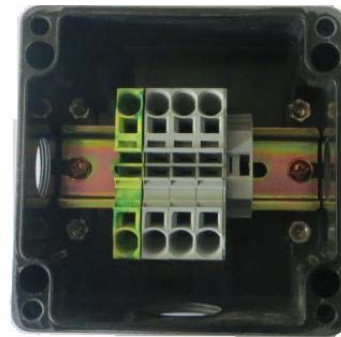
RATED FOR ORDINARY AREA, UPTO C1D2
HAZARDOUS LOCATIONS

KEY FEATURES

- ✓ ROBUST, CORROSION RESISTANT GLASS REINFORCED POLYESTER ENCLOSURE
- ✓ CSA APPROVED
- ✓ RATED FOR ORDINARY AREA, UPTO C1D2 HAZARDOUS LOCATIONS
- ✓ RELIABLE AND MAINTANENCE FREE SPRING CLAMP TERMINALS
- ✓ SILICONE-FREE CORE SEAL FOR EASY INSTALL

APPROVALS

- ✓ CLASS 1, DIV. 2 GROUPS A, B, C, D
- ✓ CLASS 2, DIV. 2 GROUPS E, F, G
- ✓ CLASS 3, DIV. 2



DESCRIPTION

TRM SR heating cables are approved for installation in hazardous locations when the correct power connection and end termination kits are used.

The TRM-SR-ACC-C1D2-PTBS power connection with junction box provides a robust, corrosion resistant polyamide enclosure which meets approval for use in ordinary (non-hazardous) or hazardous (Class1,Div.2) areas.

- CSA & IEx approved for use in ordinary or hazardous locations.
- Rugged stand protects the heating cable and allows for up to 5" (132mm) of thermal insulation.
- Innovative spring clamp terminals provide fast installation and safe, reliable, maintenance-free operation.

TECHNICAL SPECIFICATIONS

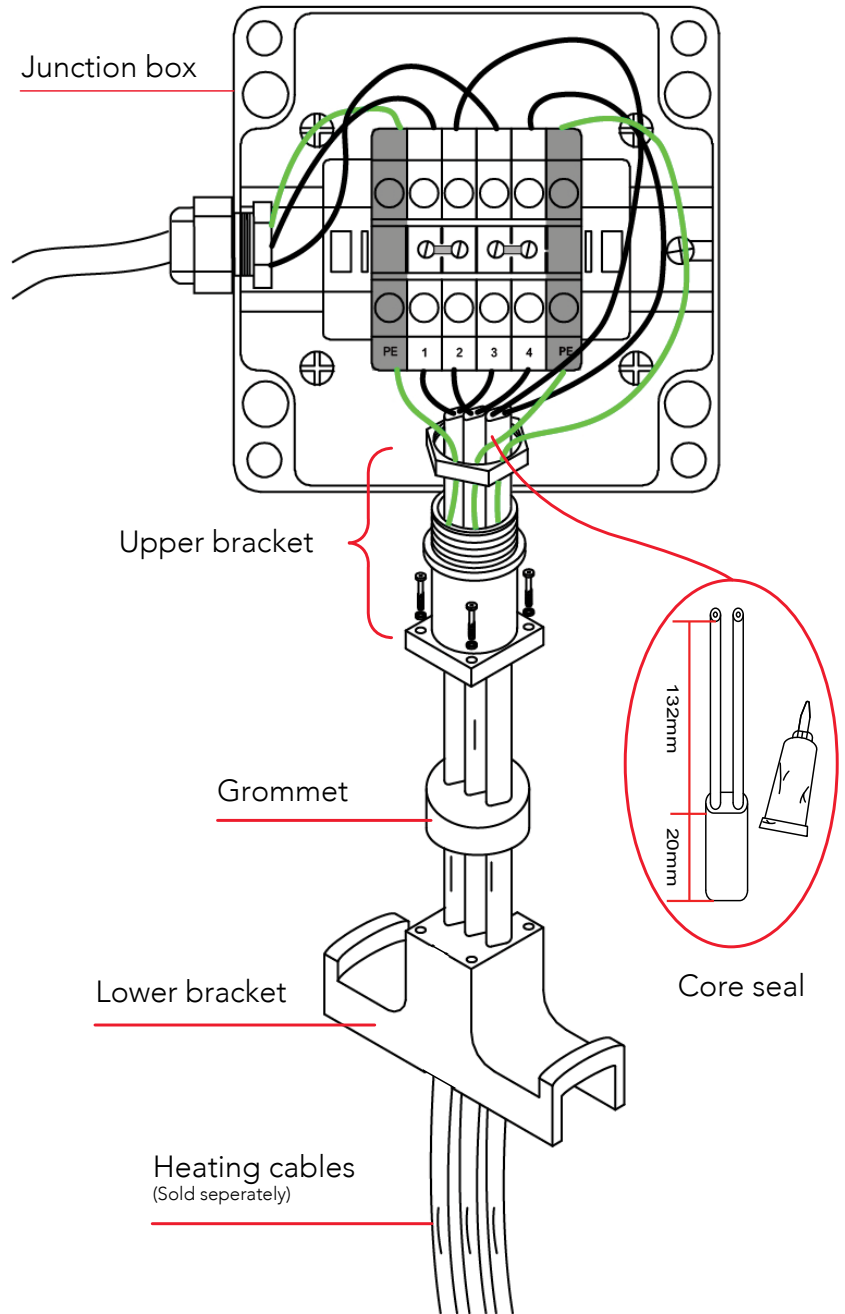
Volume	1296 cm ³
Voltage Rating	120V/240V
Max Current Rating	40 Amps
Terminal Size	10 mm ²
Material	Glass reinforced polyester. (Fire retardant)
Operating Temperature	-40°C to +50°C (-40°F to +122°F)
Optional	Earth Continuity Plate and pipe strap (not included)





KIT INCLUDES		
ITEM	QTY	DESCRIPTION
A	1	Square Junction Box
B	1	Upper Bracket
C	1	Black Grommet
D	1	Lower Bracket
E	1	Core Seal
F	1	Pipe Strap

All power connections and end seals to be made on the outside of the pipe in a dry location.



WARRANTY

We believe in the superior quality of our TRM SR cable products. Our standard warranty is 2 years from the date of purchase. Contact us regarding extended warranty terms and conditions.

TRM is an industry leading, Canadian-owned, designer, and manufacturer of premium heating cable and systems in the commercial, industrial, and residential sectors.

GET IN TOUCH

905 940 4737 info@trmheatingcables.com www.trmheatingcables.com

