



# TRM SR HEATING CABLE ACCESSORIES

## LOW-PROFILE END SEAL KIT

### TRM-SR-ACC-C1D2-END

RATED FOR ORDINARY AREA, UPTO C1D2  
HAZARDOUS LOCATIONS

#### KEY FEATURES

- ✓ CSA APPROVED
- ✓ RATED FOR ORDINARY AREA, UPTO C1D2 HAZARDOUS LOCATIONS
- ✓ FOR USE WITH TRM SR HEATING CABLES

#### APPROVALS

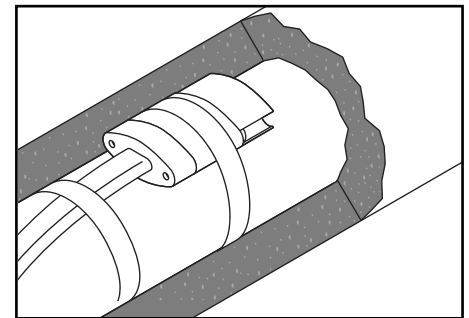
- ✓ CLASS 1, DIV. 2 GROUPS A, B, C, D
- ✓ CLASS 2, DIV. 2 GROUPS E, F, G
- ✓ CLASS 3



#### DESCRIPTION

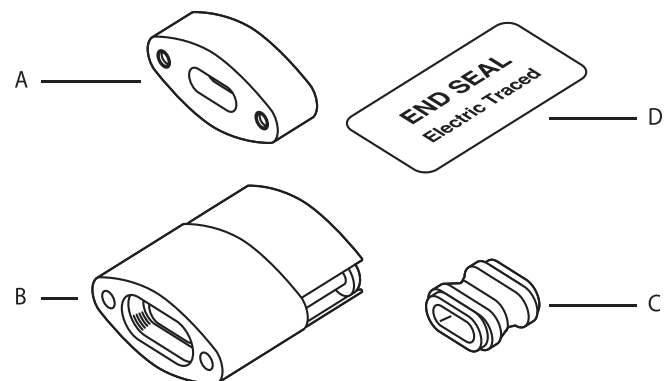
TRM SR heating cables are approved for installation in hazardous locations when the correct connection and termination kits are used.

The TRM-SR-ACC-C1D2-END Low-Profile End Seal Kit is designed to be installed on the pipe under insulation and/or cladding.



KIT INCLUDES		
ITEM	QTY	DESCRIPTION
A	1	Seal Plate for Main Box
B	1	Main End Seal Box
C	1	Red Grommets
D	1	Label

**All power connections and end seals to be made on the outside of the pipe in a dry location.**



#### WARRANTY

We believe in the superior quality of our TRM SR cable products. Our standard warranty is 2 years from the date of purchase. Contact us regarding extended warranty terms and conditions.

TRM is an industry leading, Canadian-owned, designer, and manufacturer of premium heating cable and systems in the commercial, industrial, and residential sectors.

#### GET IN TOUCH

- 📞 905 940 4737
- ✉ info@trmheatingcables.com
- 🌐 www.trmheatingcables.com

