

**KEY FEATURES:**

- LED display
- Programmable
- Single circuit, 20A resistive load
- Signaling contact (operates either as alarm or release contact, potential-free)
- Suitable for 2 or 3-wire RTD/Pt100 sensor input
- Single control for up to 2 heating cable connections

**DESCRIPTION**

The TRM-ELTC-14 electronic temperature controllers are designed for monitoring and control of heating and heat tracing circuits. The temperature controller comes complete with a single circuit 20A switching output and additional 8A alarm relay. The controller is designed to operate with 3-wire or 2-wire Pt100 RTD temperature sensors. ELTC-14 series controllers are supplied fully integrated in weather-proof enclosures, suitable for wall mounting, complete with transparent cover to allow for viewing and access to the front panel and user interface of the controller.

Advantages:

- LED display operable down to -13 °F (-25°C)
- Programmable 32°F (0 °C) up to 734 °F (+390°C)
- Single circuit, 20A resistive load using hybrid relay
- Signaling contact (configurable to operate either as alarm or release contact, potential-free)
- Suitable for 2 or 3-wire RTD/Pt100 sensor input
- Single control for up to 2 heating cable connections
- Operating voltage:
100 - 240 VAC / 50/60 Hz

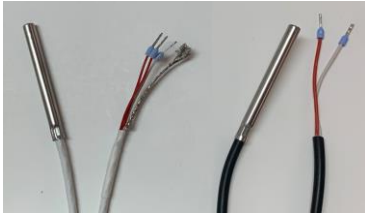
Applications:

- Industrial applications
- Commercial heat tracing and Heating, Ventillation and Air Conditioning (HVAC)
- Heat Tracing Control
- Control of Heating Components such heated hoses, lines, jackets





Pt100 RTD Sensor Details:



Pt100 2-wire RTD (Standard):

- **Measuring sleeve 5 x 50 mm**
- **Mat. 1.4571**
- **Connection cable: Black PVC**
- **Included Sensor Length = ~15 ft**
- **Class B**
- **Tmax 80 °C**
- **IP 65**

Pt100 3-wire RTD (Optional):

- **Measuring sleeve 5 x 50 mm**
- **Mat. 1.4571**
- **Connection cable: White Fluoropolymer**
- **Included Sensor Length = ~9.5 ft**
- **Class B**
- **Tmax 250 °C**
- **IP 65**

Sensor Extension Wire Details:

Pt100 2-wire RTD (Standard):

2C #18AWG (16x30) Tinned copper, PE insulated, Shielded, jacketed communication cable.

Max Extension Length: 30 ft

Pt100 3-wire RTD (Optional):

3C #18AWG (16x30) Tinned copper, PE insulated, shielded, jacketed communication cable.

Max Extension Length: 300 ft

Technical Information

Data

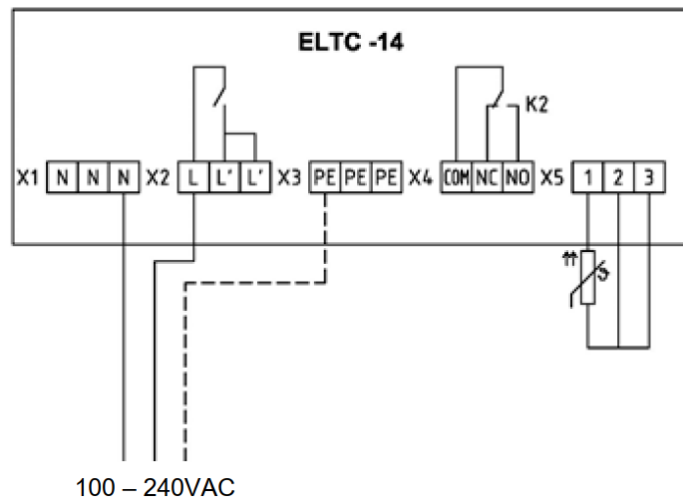
■ Operating voltage	100 - 240 VAC 50/60 Hz
■ Power consumption	Max. 4 mA, < 5 W
■ Switching capacity relay 1	20 A with hybrid relay
■ Switching capacity relay 2	8 A, change over contact (alarm)
■ Operating temperature	-13 °F (-25 °C) up to 131 °F (+55 °C)
■ Storage temperature	-22 °F (-30 °C) up to 140 °F (+60 °C)
■ Display range	-58 °F (-50 °C) up to 752 °F (+400 °C)
■ Adjustable range	32 °F (0 °C) up to 734 °F (+390 °C), optional configuration
■ Sensor connection	RTD Pt100 2-wire, 3-wire, optional configuration
■ Display	LED, red
■ IP rating	NEMA 4
■ Dimensions (w x h x d)	5.2" x 5.2" x 3" (130 x 130 x 75 mm) polycarbonate enclosure

Sensors and display: ELTC-14 accepts either 2 or 3-wire RTD input. Temperatures may be displayed either in deg F or degC (refer to operating manual for detailed setup configuration)

Relay configuration: Relay 1: Heating Circuit Control output, Relay 2: alarm relay

Temperature alarm: If the actual value deviates from the preset limit values, an alarm is given and transmitted via alarm relay K2.

General wiring details:



WARRANTY

We believe in the superior quality of our TRM control products. Our standard warranty is 2 years from the date of purchase. Contact us regarding extended warranty terms and conditions.

TRM is an industry leading, Canadian-owned, designer, and manufacturer of premium heating cable and systems in the commercial, industrial, and residential sectors.