



## Fiberglass Installation Tape

- Rolls of fiberglass installation tape come in 66' lengths
- Includes 6 heat trace caution labels
- Suitable for metal pipe applications
- Install tape around pipe to hold cable in place at 12"-24" intervals

## Aluminum Backed Installation Tape

- Rolls of aluminum backed installation tape come in 150' lengths
- Heat trace caution labels sold separately
- Suitable for metal or plastic pipe applications
- Install tape along entire length of the pipe and sandwich your heating cable between the 2 layers of installation tape. This method allows for proper heat transfer into plastic pipes



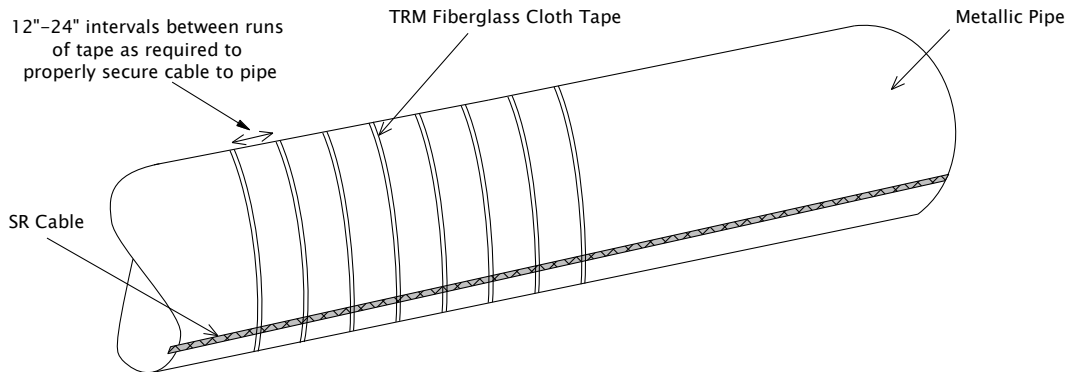
## Heat Tracing Caution Label

- Minimum of (1) heat tracing caution label should be installed for every ~10' of heated pipe

## Utilizing TRM Installation Tapes

### Installation of SR Cable on Horizontal Metallic Pipes:

If the pipe that you are Heat Tracing is Metallic, use Fiberglass Cloth Tape to secure the SR cable to the pipe

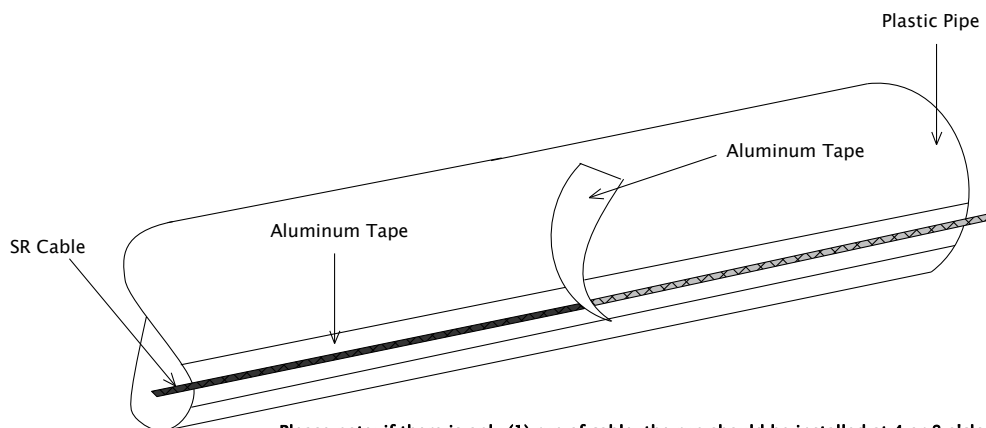


**Please note: if there is only (1) run of cable, the run should be installed at 4 or 8 o'clock**  
 This drawing is only intended to demonstrate how the SR cable is to be affixed to a plastic pipe  
 For horizontal pipes, heating cables should be run in a straight line along the pipe to produce a straight drainage line

Spiral tracing of pipes is only suggested when tracing vertical pipes and/ or in localized sections that require extra heat/special consideration such as (valves, pumps, elbows, etc.)

### Installation of SR Cable on Horizontal Plastic Pipes:

If the pipe that you are Heat Tracing is Plastic, use aluminum backed tape to "sandwich" the SR cable to the pipe to ensure proper heat transfer from the cable to the pipe



**Please note: if there is only (1) run of cable, the run should be installed at 4 or 8 o'clock**  
 This drawing is only intended to demonstrate how the SR cable is to be affixed to a plastic pipe  
 For horizontal pipes, heating cables should be run in a straight line along the pipe to produce a straight drainage line

Spiral tracing of pipes is only suggested when tracing vertical pipes and/ or in localized sections that require extra heat/special consideration such as (valves, pumps, elbows, etc.)