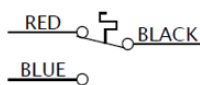


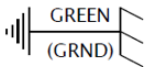
TRM Stat- ADJ-115-7

- Nema 4x Rated – Rugged Weather Resistant Enclosure
- Adjustable Temperature Setting Dial from -30F to 100F (-34C to 37C)
- Manufactured with Corrosion Resistant Components
- UL and CSA Approved
- Small Profile: Dimensions - 3.1" W x 6.1" H x 2.5" D
- Fixed 7' non-extendable sensor lead and bulb

Typical Wiring Connections



L1 (Common)



HEATING OR COOLING EQUIPMENT, SPDT,
OPENS ONE CIRCUIT (RED/BLACK, REF.
HEATING), CLOSSES ONE CIRCUIT (BLUE/BLACK,
REF. COOLING) ON TEMPERATURE RISE.

Typical Applications of TRM-STAT-ADJ-115-7

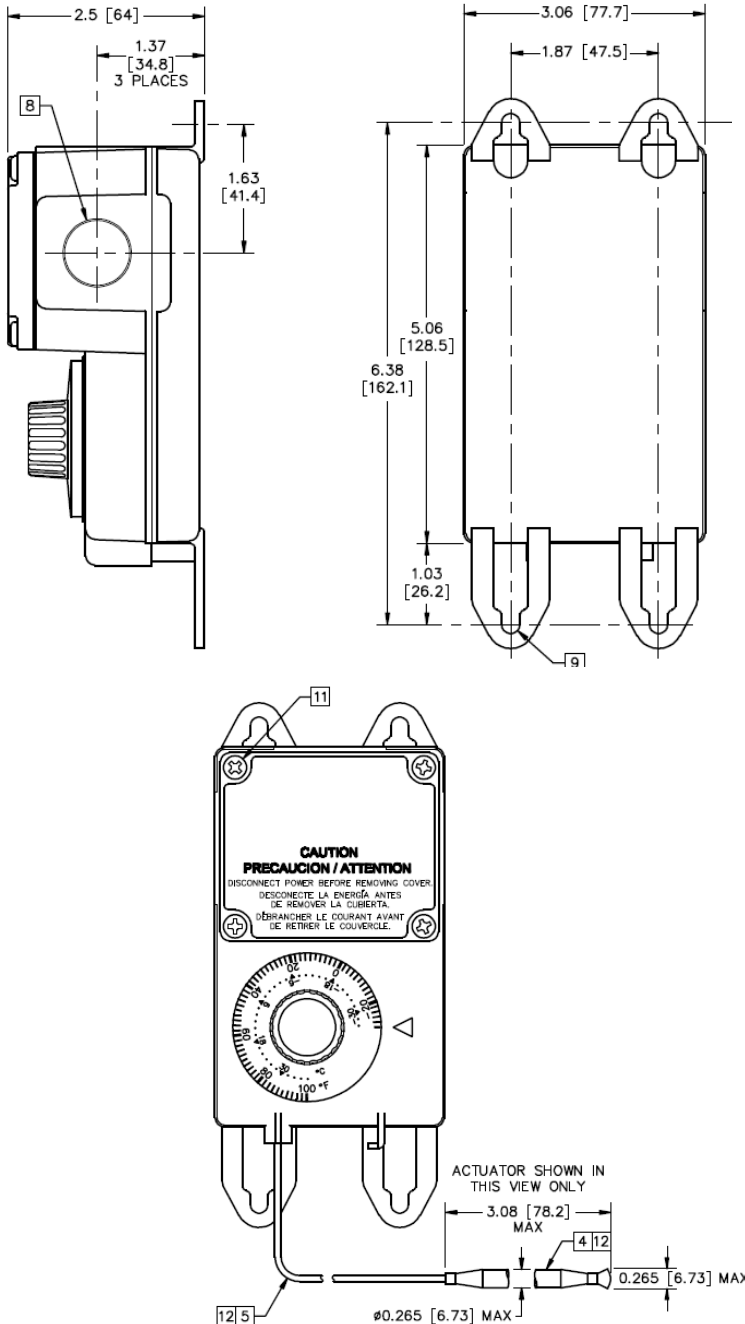
- Underslab Heat Loss Replacement
- Frost Heave Prevention
- Stair Snow Melting
- Interior Floor Heating
- Livestock Pen Heating
- Pipe Freeze Protection

Note:

This control can be wired in series with itself or other devices, and can be set to open or close the circuit when the desired setpoint has been reached

Ratings

Voltage Rating	FLA	LR	Non-Inductive	Pilot Duty
120 VAC	16A	80A	25A	125 VAC
208 VAC	13.2A	66A	25A	125 VAC
240 VAC	12A	60A	25A	125 VAC
277 VAC	10A	50A	22A	125 VAC



NOTES:

1. SPDT THERMOSTAT IS HOUSED WITHIN RAIN-TIGHT LIGHT GRAY PLASTIC TYPE 4X ENCLOSURE. BLACK KNOB HAS WHITE MARKINGS.

2. ADJUSTABLE TEMPERATURE RANGE IS -30°F TO 100°F (-34°C TO 38°C). ONE DIAL DIVISION EQUALS 2°F (1.1°C).

3. U.L. LISTED FILE E50023. C.S.A. CERTIFIED FILE NO. LR30247.

4. MAXIMUM AMBIENT TEMPERATURE FOR ENCLOSURE ASSEMBLY IS 140°F (60°C). MAXIMUM TEMPERATURE FOR SENSING BULB IS 140°F (60°C).

5. CAPILLARY LENGTH IS 96" [2438]. AVOID SHARP BENDS, 0.25 [6.4] MINIMUM INSIDE RADIUS.

6. ELECTRICAL RATING:

VAC	INDUCTIVE		RESISTIVE AMPS	PILOT DUTY
	FLA	LRA		
120	16.0	80.0	25	125 VA
208	13.2	66.0	25	125 VA
240	12.0	60.0	25	125 VA
277	10.0	50.0	22	125 VA
480	---	---	5	125 VA

SUITABLE FOR 24 VAC OPERATION

7. LOAD LEADS ARE #14 AWG 600V 105°C (221°F) STRANDED COPPER WRE. FREE LEAD LENGTH IS 6" [152] MINIMUM WITH WIRE ENDS STRIPPED TO 0.62" [15.7].

8. KNOCKOUT ALSO IN FAR SIDE OF WIRING COMPARTMENT. 1/2" TRADE SIZE KNOCKOUTS AT 3 LOCATIONS PROVIDE FOR U.L. LISTED RAIN-TIGHT CORD SEALS OR CONDUIT HUBS.

9. ENCLOSURE MOUNTS TO WALL OR PANEL SURFACE WITH #8 OR WITH #10 SCREWS.

10. MARKING TO INCLUDE:

TRF115-007
E50023
LR30247

DC (DC REPRESENTS A DATE CODE.)

11. UNIT IS INDIVIDUALLY BOXED WITH INSTRUCTION SHEET. COVER, GASKET, AND SCREWS (SHOWN IN THE ASSEMBLED POSITION) ARE PACKED WITH UNIT.

12. BULB AND CAPILLARY ARE CONSTRUCTED OF COPPER.

13. THIS ASSEMBLY AND ALL COMPONENTS AND SUBASSEMBLIES CONTAINED WITHIN THIS ASSEMBLY MUST MEET ENVIRONMENTAL IMPACT REQUIREMENTS SPECIFIED IN TI-698.

14. NOTES MARKED WITH ● CONTAIN SPECIFICATIONS THAT MUST BE CERTIFIED BY THE VENDOR WITH EACH SHIPMENT.